



EARTH, AIR AND WATER— ARE YOU AFFECTING THEM?

Your Solution Is Our Specialty

The Draygon Self Contained Waste Water Processing System



Draygon Waste Water Evaporators From 2-140 Gallons/7.5-530 Liters/Hour

**Grease, oil, heavy metals, even carcinogens can be in your waste water
and must be disposed of without affecting our planet**

**Limit your risk of violating federal and local regulations with
Draygon waste water evaporators and filters**

**Draygon Enterprises, Inc.
15 Blake Way • Osprey FL 34229 • 800-724-3610 • 941-485-9676 • FAX 941-485-3456
www.SteamDraygon.com • Questions@Draygon.com**



Your Solution Is Our Specialty

The Draygon Self Contained Waste Water Processing System

Applications

The Draygon Self Contained Waste Water Processing System Is Perfect Where A Drop-In, Ready- To-Use Solution Is Needed For Waste Streams From These Applications And More:

- ▶ Vehicle Washes
- ▶ Parts Washing
- ▶ Printing Inks/Dyes
- ▶ Metal Fabrication
- ▶ Metal Finishing/Plating
- ▶ Floor Scrubbing Water
- ▶ Marina Bilge Water
- ▶ Air Condensation/Coolant
- ▶ Ceramic Coating Wastes
- ▶ Compressor Condensate
- ▶ Degreasing Operations
- ▶ Screw Machine Shops
- ▶ Truck /Car Washes
- ▶ Most Aqueous Waste Streams

Specifications

Main Evaporator Up To 140 Gallons/530Liters Per Hour, Run Dry Evaporator Up To 35 Gallons/132 Liters Per Hour

Dimensions 20x8x8 Ft/6.1x2.4x2.4 Meters (L/W/H)

Approx. Weight 15,000 Pounds/6818 Kg.

208 VAC, 200 AMP/3 Phase And Other Options

Burner Fuel – Nat. Gas

Make Up Air -Low Leakage, Power Actuated

Damper, Auxiliary Electric Heater – 2 KW

Exhaust Fan – 100 Cubic Ft/2.8 Cubic Meter/Hr,

Oil -Water Separator And Other Filters Available

316 Stainless Steel Tanks Standard. AL6XN, Titanium And Alloy Options

Permanent or Temporary Installation, Mobile Options Available

Advantages

Fast Payback/ROI—Reduce Water Disposal Costs By 90% Or More

Automatic, All-Weather Operation Perfect for Bus and Other Vehicle Washes

Delivered To Your Site, Ready To Connect and Operate Including All Pumps, Motors, Fans, Heaters

No Interior Space Needed

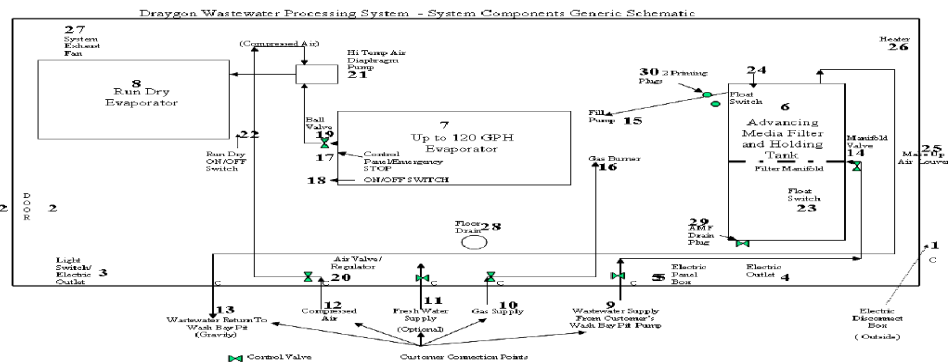
Fast, Drop-In Installation, Just Connect Your Waste Water, Electric and Natural Gas To Our Ports

Recycling Options Available

Easy, Reliable Operation And Cleaning, Multiple Safety Features

Full Training Provided

Industry' Best 2-Year Limited Warranty



Draygon Enterprises, Inc.

15 Blake Way • Osprey FL 34229 • 800-724-3610 • 941-485-9676 • FAX 941-485-3456

www.SteamDraygon.com • Questions@Draygon.com